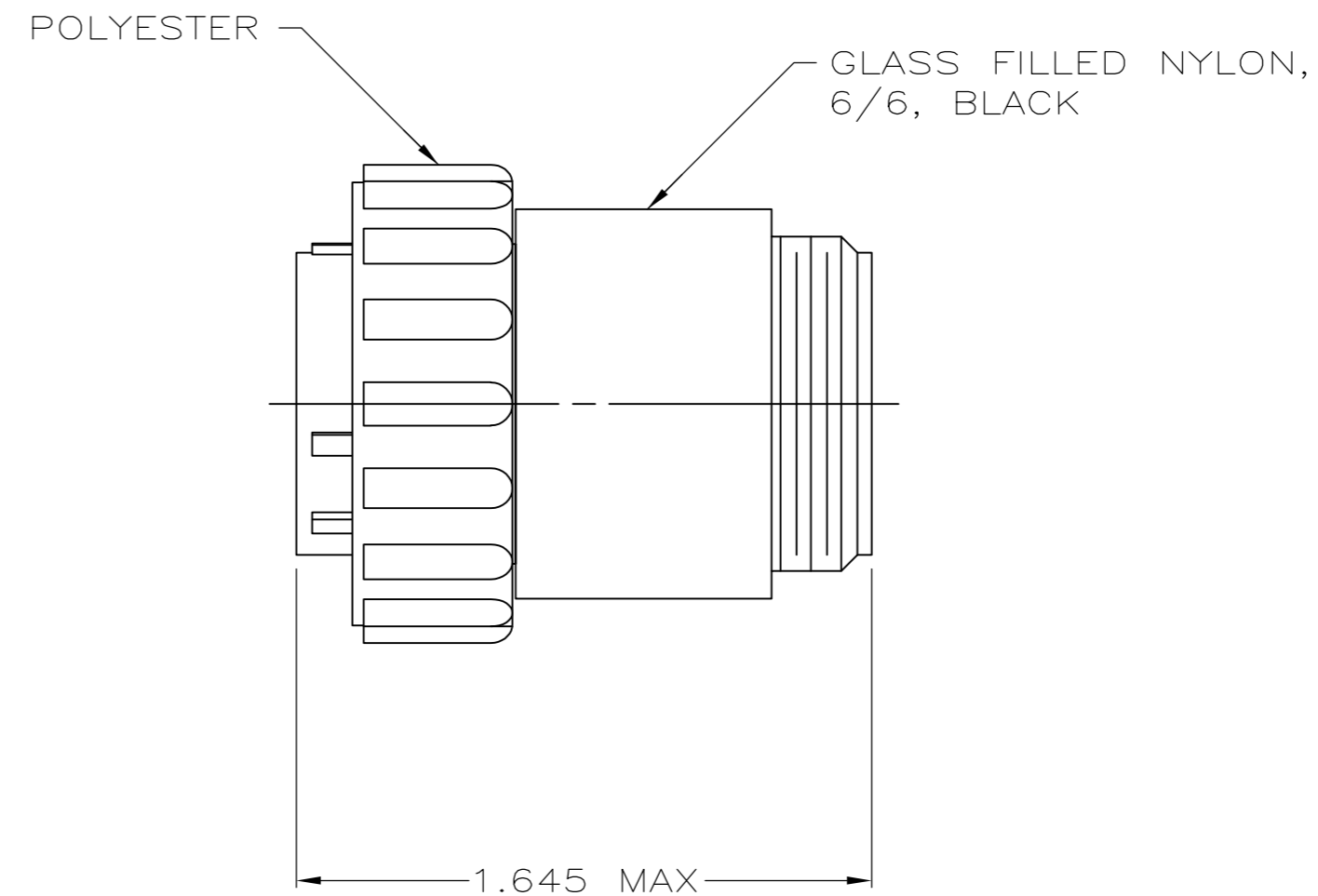
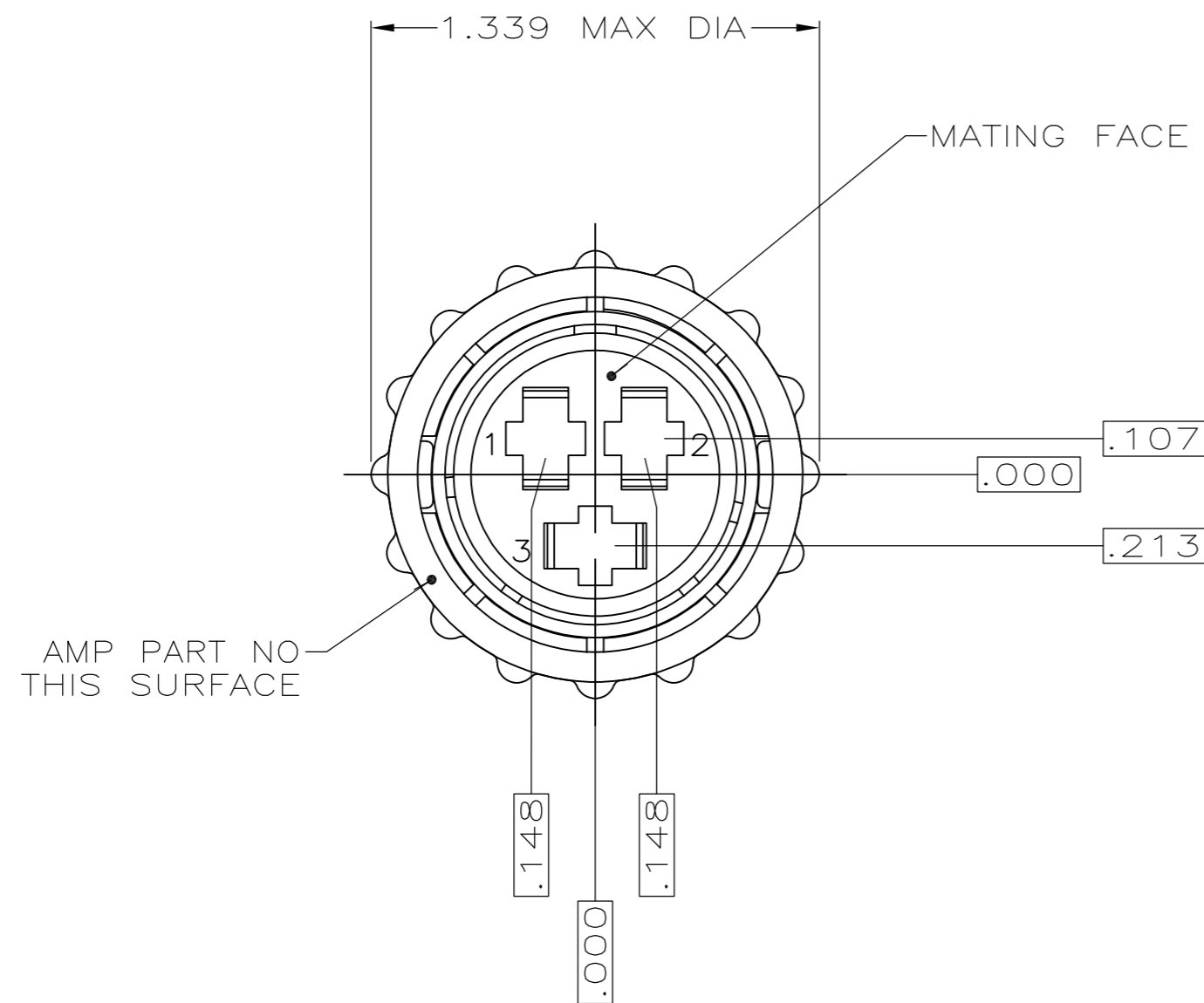


THIS DRAWING IS UNPUBLISHED. RELEASED FOR PUBLICATION
 © COPYRIGHT BY TYCO ELECTRONICS CORPORATION. ALL RIGHTS RESERVED.

LOC	DIST	REVISIONS			
P	LTR	DESCRIPTION	DATE	DWN	APVD
FT	0				
	F	REVISED PER ECO-07-024134	10/12/07	SS	SH



- CONTACT CAVITIES IDENTIFIED BY CHARACTERS ON FRONT AND REAR FACES OF CONNECTOR.
- WILL ACCEPT (3) TYPE XII PIN CONTACTS.

GRAY	NORYL	206426-2
BLACK	VALOX	206426-1
COUPLING RING COLOR	COUPLING RING MATL	PART NUMBER

THIS DRAWING IS A CONTROLLED DOCUMENT.		DWN S.RIDGLEY BG 8/2/90	Tyco Electronics Corporation Harrisburg, PA 17105-3608	
DIMENSIONS: INCHES		CHK R.STONE 04/26/91	NAME	
TOLERANCES UNLESS OTHERWISE SPECIFIED:		APVD -	PRODUCT SPEC	
0 PLC ± -		PRODUCT SPEC -	APPLICATION SPEC	
1 PLC ± -		APPLICATION SPEC -	WEIGHT -	
2 PLC ± -		WEIGHT -	SIZE A2	
3 PLC ± -		WEIGHT -	CAGE CODE 00779	
4 PLC ± -		WEIGHT -	DRAWING NO C=206426	
ANGLES ± -		WEIGHT -	RESTRICTED TO	
FINISH -		WEIGHT -	SCALE 2:1	
MATERIAL SEE		WEIGHT -	SHEET 1 of 1	
		WEIGHT -	REV F	
		WEIGHT -	CUSTOMER DRAWING	